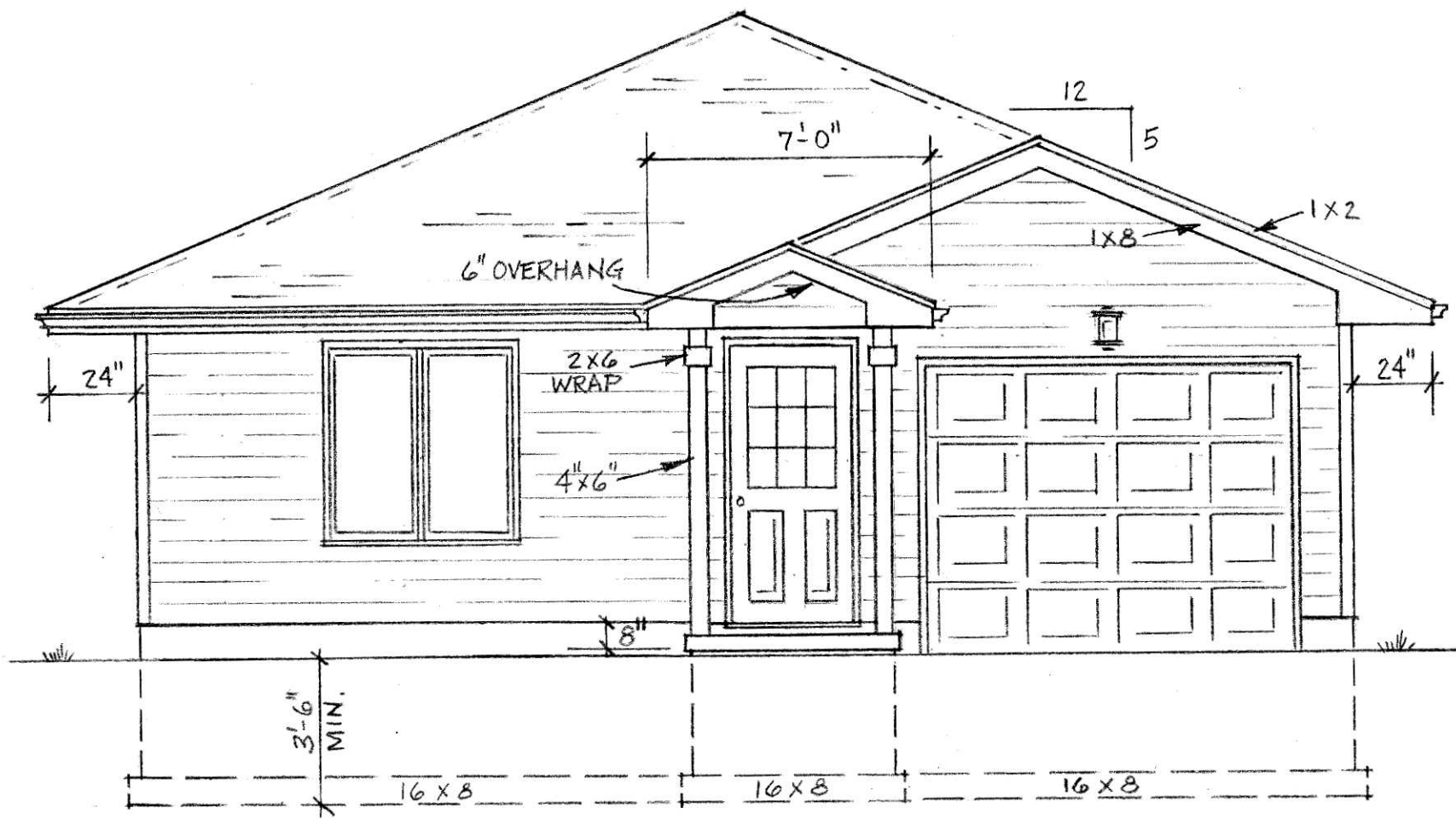
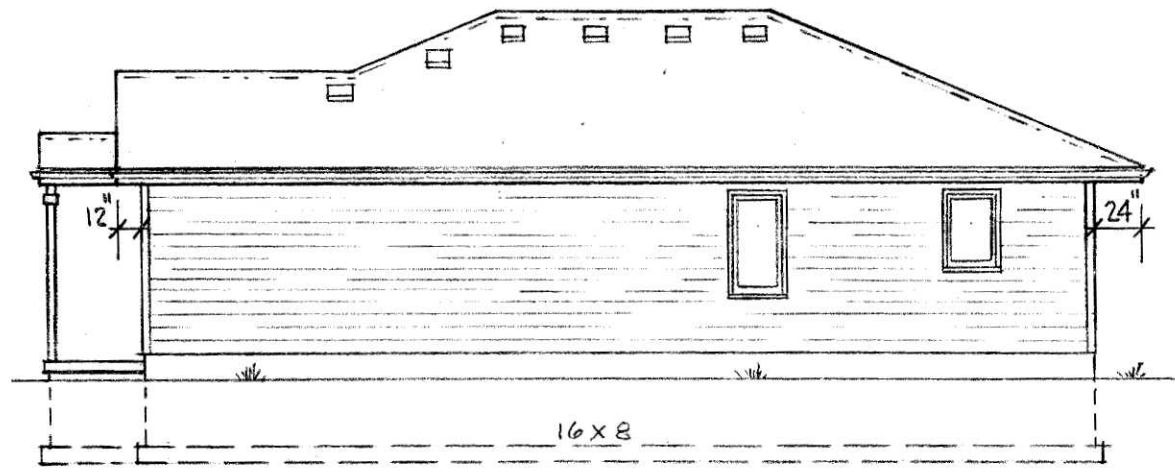


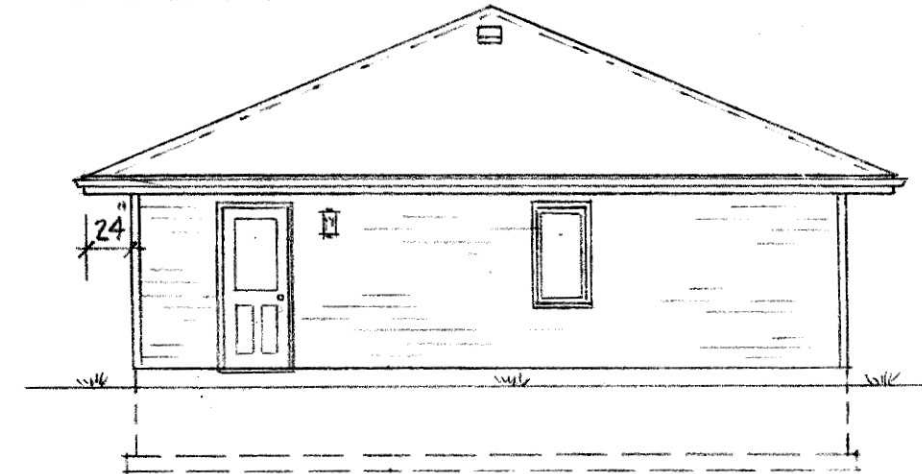
LEFT ELEV.  
1/8" = 1'-0"



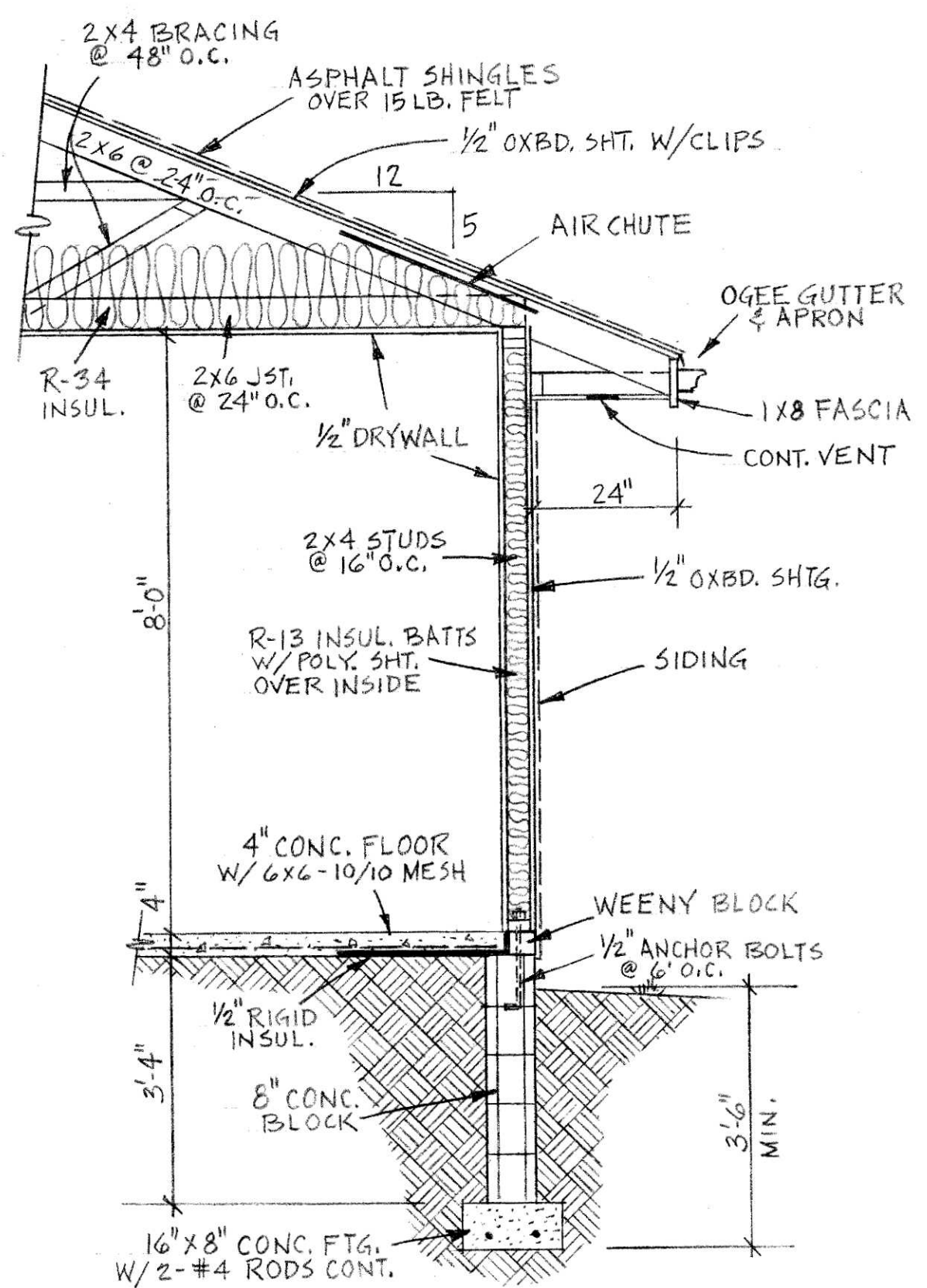
FRONT ELEVATION  
1/4" = 1'-0"



RIGHT ELEV.



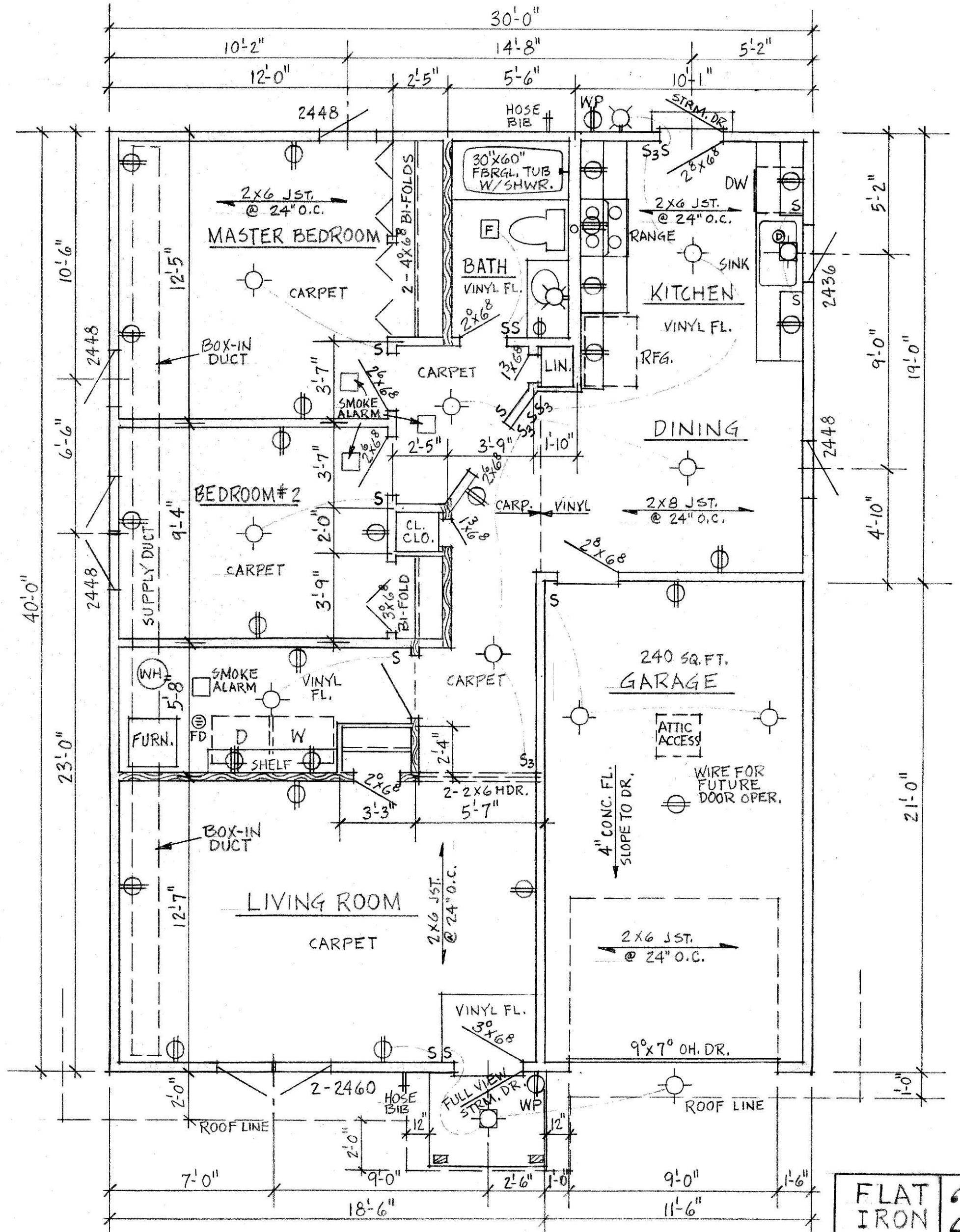
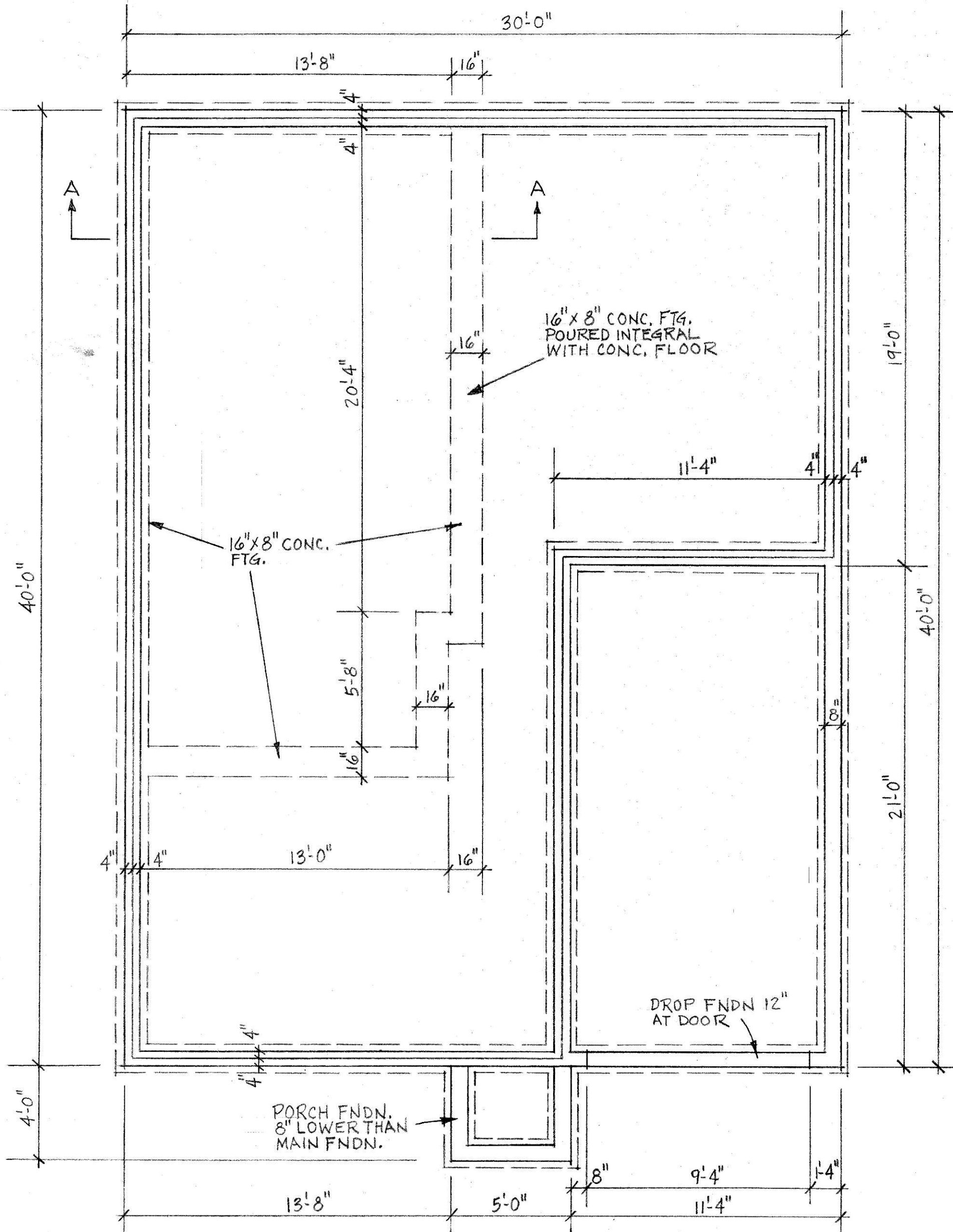
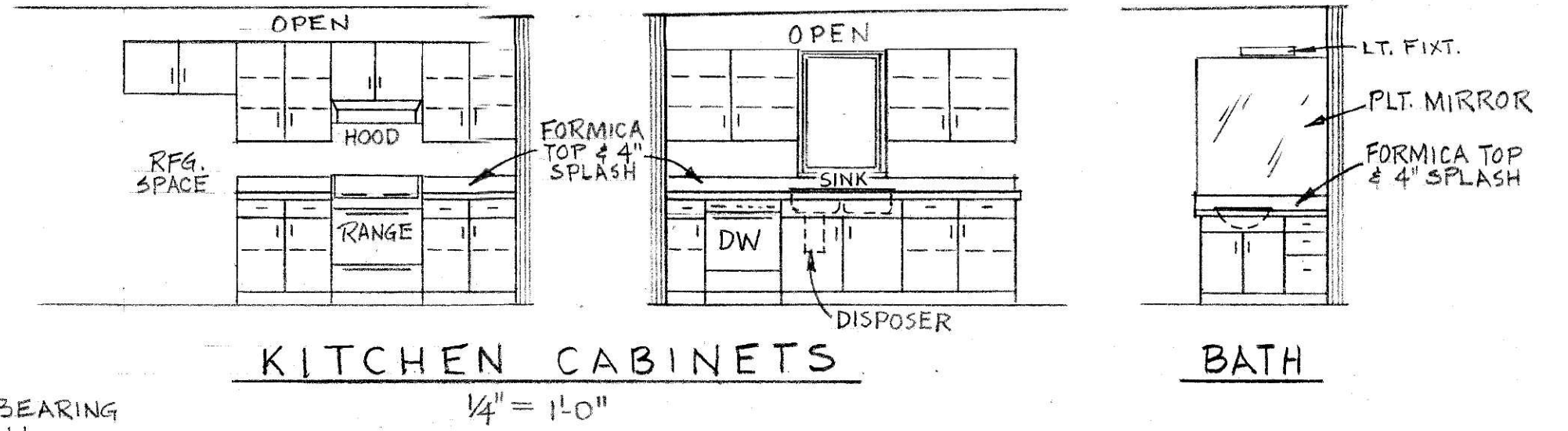
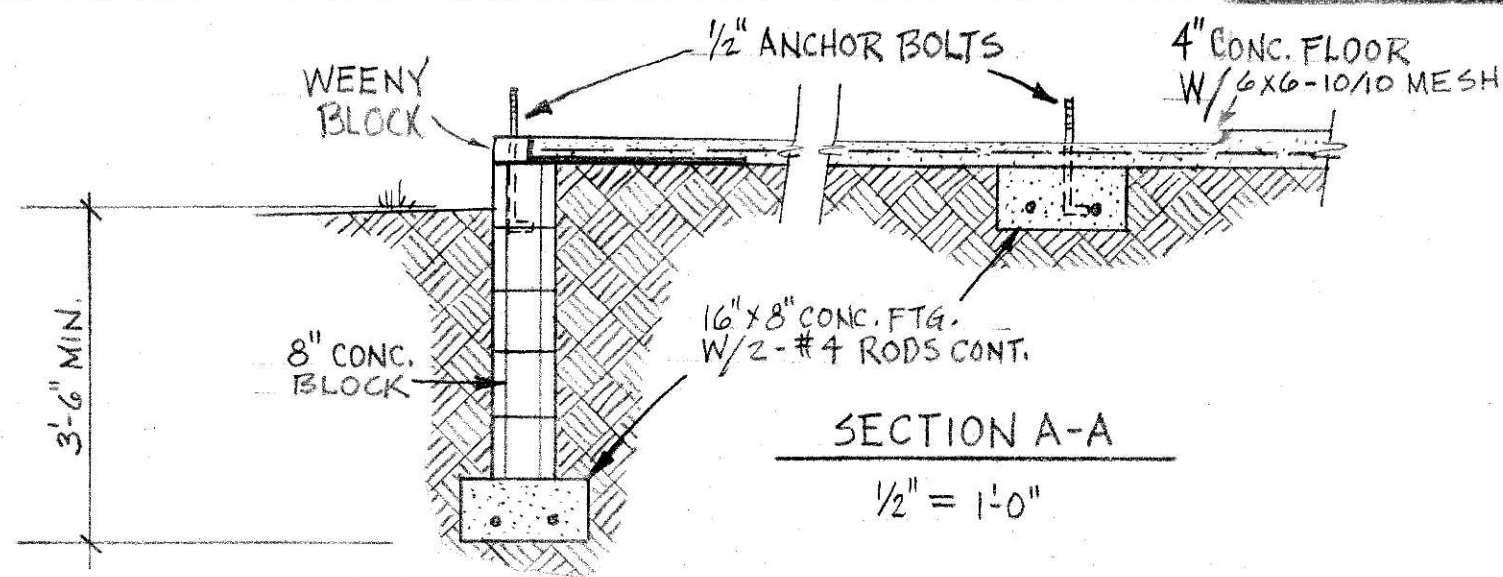
REAR ELEV.



TYPICAL SECTION  
1/2" = 1'-0"

FLAT IRON INC.  
PHONE 968-4137





FLAT IRON 2  
968-4137